

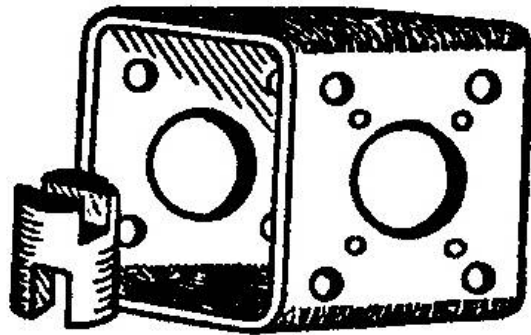
Vincent R. Nitz, *President*
James M. Leppek, *Sales & Engineering*

Phone: (989) 883-9500
Fax: (989) 883-2772
Website: www.nitzvalve.com
E-mail: nvh@nitzvalve.com

Direct e-mail:

vrnitz@nitzvalve.com
jleppek@nitzvalve.com
admin@nitzvalve.com

NVH



Nitz Valve Hardware, Inc.

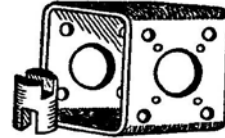
Leaders in Valve Automation Adaptation Hardware

Price List January 1, 2017

8610 Unionville Rd. (M-25) - P.O. Box 654 Sebawaing, MI 48759-0654

NITZ VALVE HARDWARE, INC.

Vincent R. Nitz, *President*



Memo

TO: CUSTOMERS

FROM: Vincent R. Nitz, President
NITZ VALVE HARDWARE, INC.

RE: Price List - Effective January 1, 2017

Enclosed please find our new price book for actuator and accessory mounting kits. Our pricing has changed due to the rising costs of production and raw materials.

Please note our part number designation chart on page 9. This part number system has been incorporated for your tracking & reordering convenience. When re-ordering mounting kits, please include a complete application description, part number, and past PO# whenever possible. For additional explanation of part number designations, please contact our sales staff.

We have also inserted valve dimension spec. sheets, (pages 10 through 13) for your use should you have to specify the dimensions directly from a valve. Make copies of these sheets as needed and you can fax these to us for our use in the design process of your mounting kits. These sheets display the basic dimensions we will need for the design process. Please note that you may need to incorporate two or more sheets to correctly describe the mounting of your valve. Please call our sales staff for any assistance in using these sheets.

We appreciate your continued business and will be working to provide the very best service and quality for your future requirements.

8610 Unionville Rd. - P.O. Box 654 • Sebawaing, MI • 48759-0654

Telephone (989) 883-9500 • Fax (989) 883-2772

PRICE LIST FOR MOUNTING KITS

Product	Page
BUTTERFLY VALVES.....	4
BALL & PLUG VALVES.....	5
STEM EXTENSION KITS.....	6
3-WAY LINKAGE KITS.....	7
LIMIT SWITCHES.....	8
POSITIONERS.....	8
PART NUMBER DESIGNATION CHART.....	9
DIMENSION SPEC. SHEETS.....	10-13
SAMPLE DRAWINGS.....	14-16

Effective January 1, 2017

PRICE LIST

PRICE INCLUDES

- Carbon Steel Bracket/Coupling
 - Completely Deburred
 - Primed
 - Painted
 - Fasteners
-

OPTIONAL SERVICES (Additional Cost)

- Special Mounting
(No mounting facility)
Add 20% to List
- Stainless Steel Material POA
- **EXPEDITED SERVICE**
PER KIT DESIGN
3 working days . \$70.00
7 working days . \$35.00

**NO QUANTITY DISCOUNTS
AVAILABLE ON EXPEDITED ORDERS**

Prices shown are net - Quantity 1 - 5 pieces

Quantity Discounts per Design *

- 6 - 20 list price less 5%
- 21 - 50 list price less 10%
- 51 - ? list price less 15%

*** NO QUANTITY DISCOUNTS
AVAILABLE ON RAPID SERVICE**

Terms

F.O.B - Sebewaing, Michigan

NOTES:

1. NITZ VALVE HARDWARE, INC. will not be responsible for incorrect dimensional data supplied by customer.
2. Prices based on standard assemblies. NITZ VALVE HARDWARE, INC. reserves the right to add charges on oversized or "special" mounting configurations.
3. All mounting adapter kits not listed are Price On Availability (POA).

Effective January 1, 2017

MOUNTING KIT PRICE FOR BUTTERFLY VALVES

All High Performance BFV - POA
24" and Larger POA
Damper BFV POA

ACTUATOR EXAMPLES*	2" thru 6"	8" thru 12"	14" thru 20"
RCI, Bettis (Male Output)	\$80.00	\$100.00	\$238.00
Bray, Automax (Female "DD")	\$80.00	\$100.00	\$238.00
Elomatic, Valvcon, Radius, Valbia, Promation			
RCI, Hytork (ISO 5211)	\$80.00	\$100.00	\$238.00
Hills McCanna	\$80.00	\$100.00	\$238.00
Jamesbury	\$80.00	\$100.00	\$238.00
Matryx & Kinetrol			
Morin	\$80.00	\$100.00	\$238.00
RCS	\$80.00	\$100.00	\$238.00
Watts & Worcester	\$80.00	\$100.00	\$238.00

*Actuators that have blank drive nuts will have additional machining charges.

Example: Auma, Limatorque, RCEL, Rotork, EIM.

Prices indicated are for 150# class valves.

300# class valves and above are POA.

Oversized actuators due to low line pressure are POA.

***Kits for additional actuators are available.**

See page 9 for available kits and kit options.

NOTE: Any actuators which have 2 inch or larger female drives or 1.5 inch or larger male drives, are P.O.A.

Example: T series Bettis, H.D. series, Remote Control RC 80/100

Effective January 1, 2017

Page 4

MOUNTING KIT PRICE FOR BALL AND PLUG VALVES

All high pressure or NON-ISO BV's - POA

ACTUATOR EXAMPLES*	1/4" -1"	1-1/4" - 2"	2-1/2"-4"	6"-8"
Bettis, RCI (Male Shaft)	\$78.00	\$82.00	\$138.00	\$238.00
Bray, Automax (Female "DD")	\$78.00	\$82.00	\$138.00	\$238.00
Elomatic, Valvcon, RCI, Radius, Valbia, Promation				
SVF, Hytork (ISO 5211)	\$78.00	\$82.00	\$138.00	\$238.00
Jamesbury	\$78.00	\$82.00	\$138.00	\$238.00
Matryx & Kinetrol, Morin	\$78.00	\$82.00	\$138.00	\$238.00
RCS	\$78.00	\$82.00	\$138.00	\$238.00
Watts & Worcester	\$78.00	\$82.00	\$138.00	\$238.00

*Actuators that have blank drive nuts will have additional machining charges.

Example: Auma, Limatorque, RCEL, Rotork, EIM.

Prices indicated are for 150# class valves.

300# class valves and above are POA.

Oversized actuators due to low line pressure are POA.

**Kits for additional actuators are available.*

See page 9 for available kits and kit options.

NOTE: Any actuators which have 2 inch or larger female drives or 1.5 inch or larger male drives, are P.O.A.

Example: T series Bettis, H.D. series, Remote Control RC 80/100

BUTTERFLY VALVE STEM EXTENSION KIT

VALVE SIZE	Up to 3' Length Face to Face	Price per Inch Over 3' Lengths
2" - 6"	\$272.00	\$4.15
8" - 12"	\$315.00	\$4.75
14"- 20"	\$464.00	\$8.50
24" - 36"	POA	POA

NOTES:

1. Industrial Butterfly Valves only; Hi-performance BFV - ADD 20%
2. AWWA BFV's, Plug and Ball Valves: POA

GEAR BOX HANDWHEEL STEM EXTENSION KIT

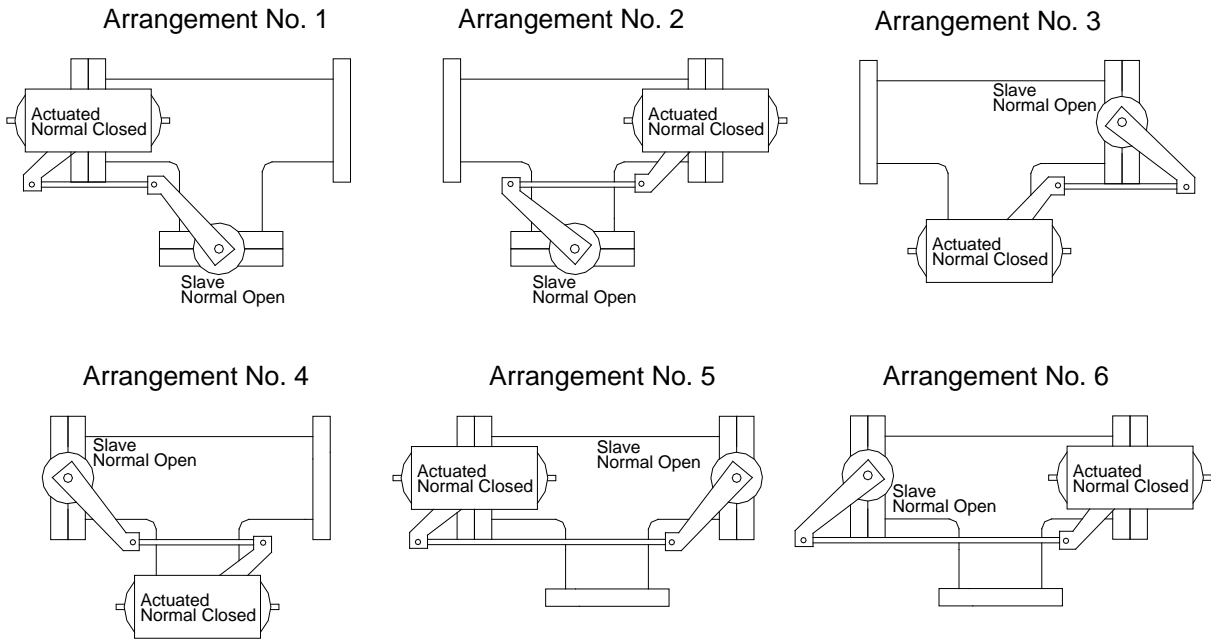
STEM DIAMETER	Up to 3' Length Pin to Pin	Price per Inch Over 3' Lengths
1/2" - 1"	\$140.00	\$2.10
LARGE DIAMETER	POA	POA

3- WAY BUTTERFLY LINKAGE KITS

High Performance BFV - POA
Ball Valves, Plug Valves, & Gate Valves - POA

2" thru 6"	8" thru 12"	14" thru 18"	20" thru 36"
\$330.00	\$432.00	\$570.00	POA

*Chain Drive Design with Guard
or
Linkage Arm Design*



THE ECONOMICAL ALTERNATIVE TO EXPENSIVE BALL VALVES

NOTE:

When ordering 3-ways, valve locations and actuator location must be defined.

When ordering, specify Chain or Linkage Arm Design.

Effective January 1, 2017

ACCESSORIES

NON-NAMUR LIMIT SWITCH MOUNTING KITS*	Price
Mounting to Actuator	\$78.00
Lever Operated and Gear Box Mountings	POA

NON- NAMUR POSITIONER MOUNTING KITS*	Price
Accord	\$78.00
Bailey	\$78.00
Moore	\$78.00
Conameter	\$78.00
PMV	\$78.00

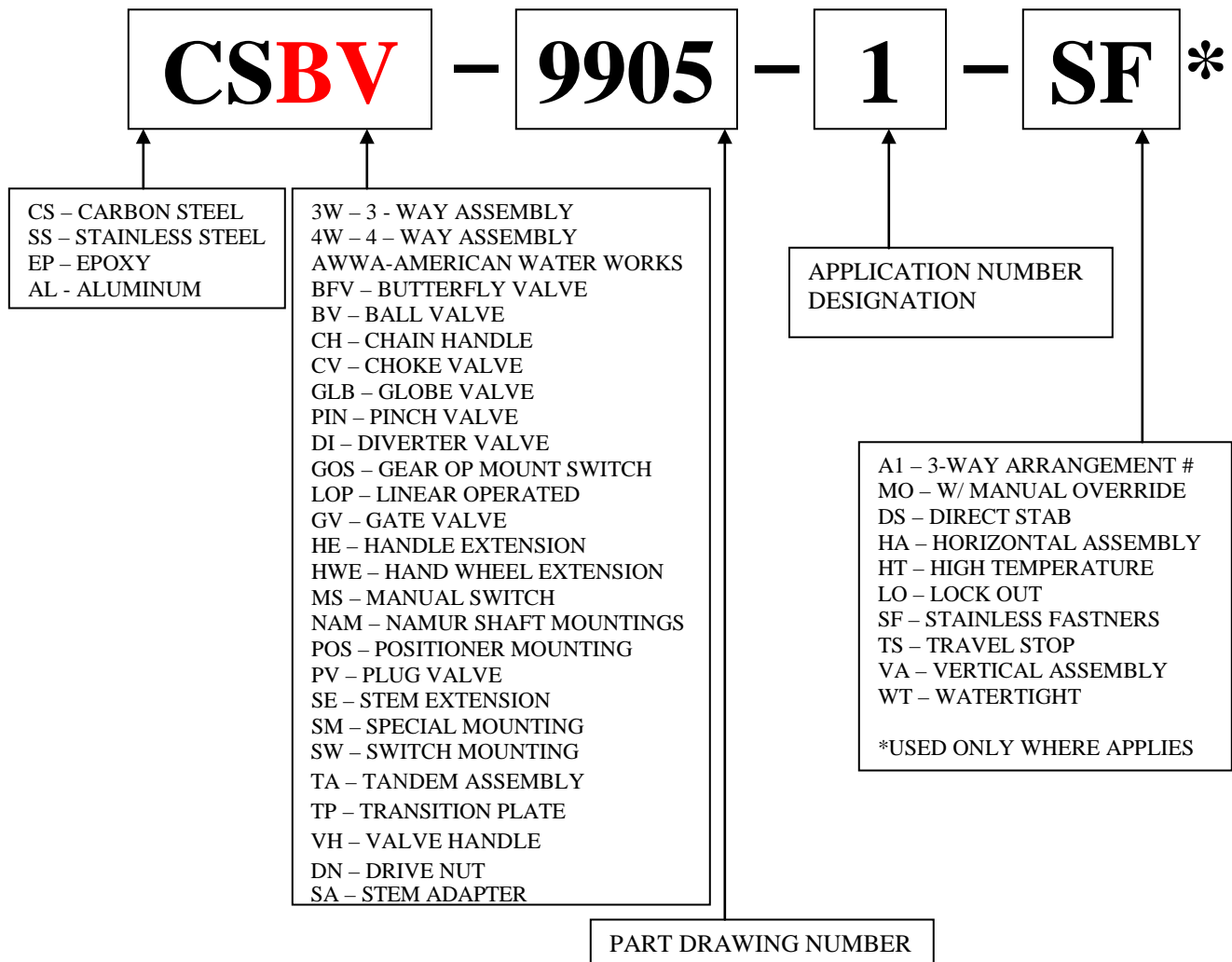
(All Makes)

STAINLESS STEEL NAMUR BRACKET ONLY MOUNTING KITS*	Price
#1 Namur 80mm x 30mm mounting bolt hole pattern x 20mm pinion height	\$40.00**
#2 Namur 130mm x 30mm mounting bolt hole pattern x 30mm pinion height	\$40.00**

**Customer must supply application description when ordering accessory mounts.*

***Special quantity discounts available. Call for quoting.*

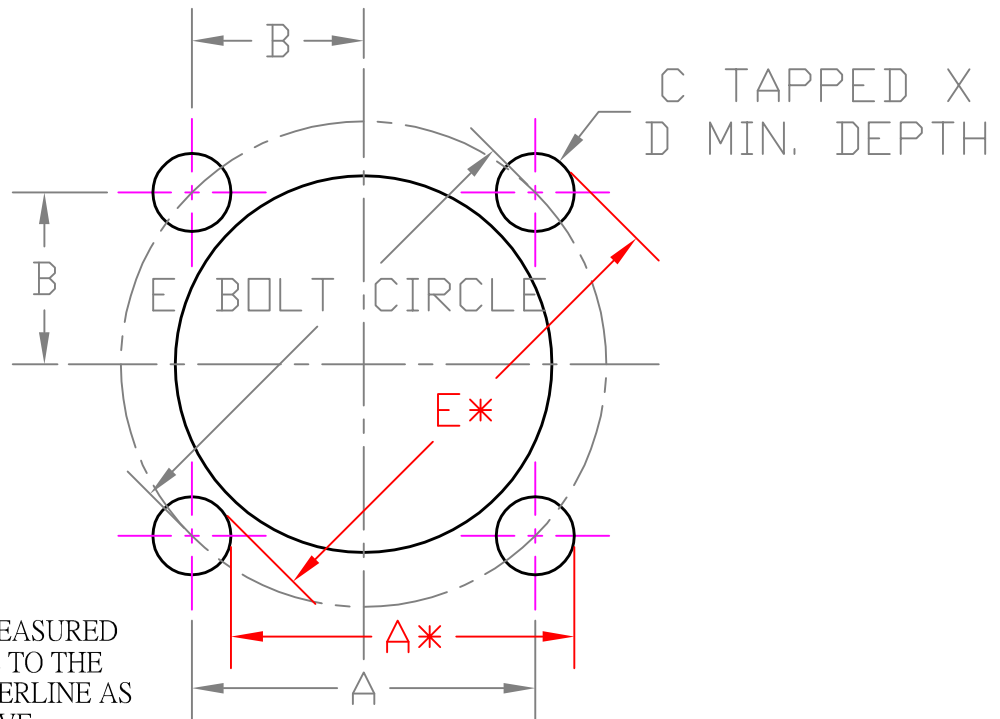
Effective January 1, 2017



When reordering your Nitz Valve Hardware mounting kits please take note of our part number assignments. The part number will be included with the shipment of the mounting kits and should be kept record of for your reordering needs. Numbering system is subject to be revised to provide additional designations for mounting kits.

ISO MOUNTING PATTERNS

ISO TYPE	DIMENSIONS					
	A	B	C	D MIN.	E DIA.	# HOLES
F03	1.002	.501	10-24 / M5	.35	1.414	4
F04	1.170	.585	10-24 / M5	.35	1.656	4
F05	1.392	.696	1/4" / M6	.35	1.97	4
F07	1.948	.974	5/16" / M8	.47	2.756	4
F10	2.840	1.420	3/8" / M10	.59	4.02	4
F12	3.480	1.740	1/2" / M12	.71	4.92	4
F14	3.898	1.949	5/8" / M14	.94	5.51	4
F16	4.593	2.296	3/4" / M16	1.18	6.50	4
F25	7.070	3.535	5/8" / M14	.94	10.0	8
F30	8.295	4.147	3/4" / M16	1.18	11.73	8
F35	9.909	4.955	M30	1.77	14.01	8
F40	11.301	5.650	M36	2.13	15.98	8
F48	13.444	6.722	M36	2.13	19.01	12
F60	16.784	8.392	M36	2.13	23.74	20



***NOTE:**

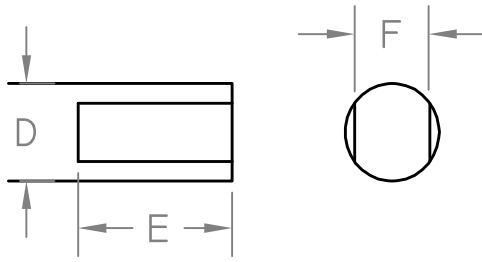
"E" & "A" ARE MOST EASILY MEASURED FROM THE EDGE OF ONE HOLE TO THE OPPOSITE EDGE ACROSS CENTERLINE AS SHOWN IN THE DRAWING ABOVE.

REV. DESCRIPTION DATE APPROVED THIS DOCUMENT AND THE DATA DISCLOSED HEREIN OR HEREWITH IS NOT TO BE REPRODUCED, USED, OR DISCLOSED IN WHOLE OR IN PART WITHOUT THE WRITTEN CONSENT OF NITZ VALVE HARDWARE, INC.	NVH Nitz Valve Hardware Inc.		ISO5211 STANDARD BOLT MOUNTING PATTERN DIMENSIONS		PART NO. -	REV -
	DRAWN BY: J.LEPPEK APPROVED BY: <i>J. Leppek</i>	SCALE 1:1		SHEET 1 OF 1		

SHAFT STYLE SHEET ONE - BUTTERFLY VALVES

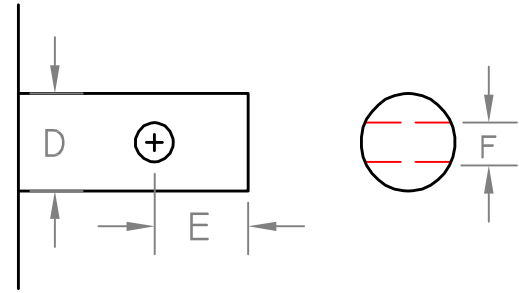
USE CALIPERS AND GIVE DIMENSIONS TO THE THIRD DECIMAL WHENEVER POSSIBLE

SHAFT STYLE 1



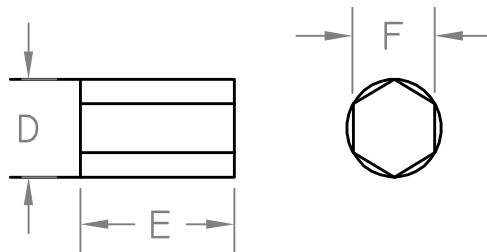
DOUBLE DEE SHAFT

SHAFT STYLE 2



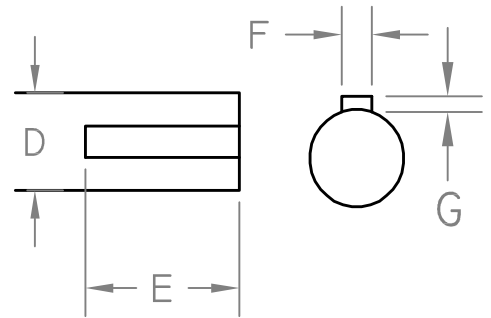
PINNED SHAFT

SHAFT STYLE 3



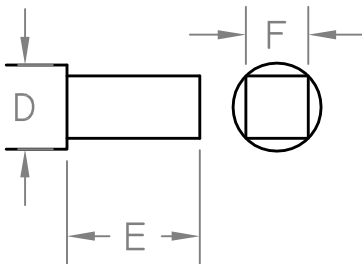
HEX SHAFT

SHAFT STYLE 4



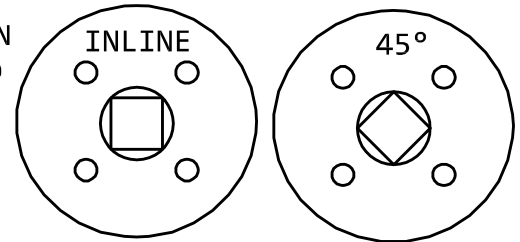
KEYED SHAFT

SHAFT STYLE 5



SQUARE

SQUARE ORIENTATION
WITH VALVE CLOSED
(CIRCLE ONE)



VALVE
FLOW

NVH

Nitz Valve Hardware, Inc.
8610 Unionville Road
Sebewaing, MI 48759
t: (989) 883-9500
f: (989) 883-2772

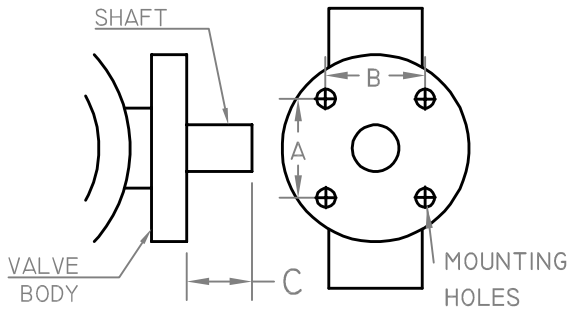
SHAFT STYLE: _____

DIM D: _____ DIM F: _____

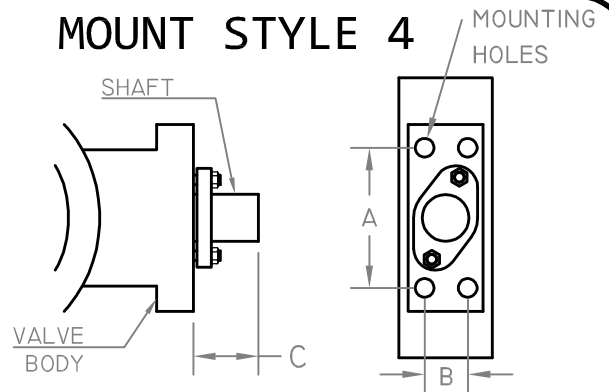
DIM E: _____ DIM G: _____

MOUNT STYLE SHEET TWO - USE SHEET ONE FOR STEM
 USE CALIPERS AND GIVE DIMENSIONS TO THE THIRD DECIMAL WHENEVER POSSIBLE
 SEE PAGE 10 IN OUR PRICEBOOK FOR CORRECT BOLT PATTERN MEASURING METHOD

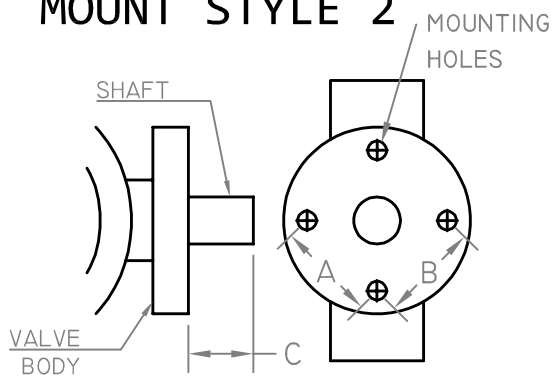
MOUNT STYLE 1



MOUNT STYLE 4



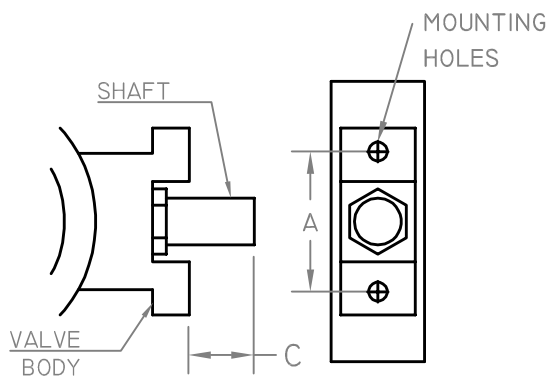
MOUNT STYLE 2



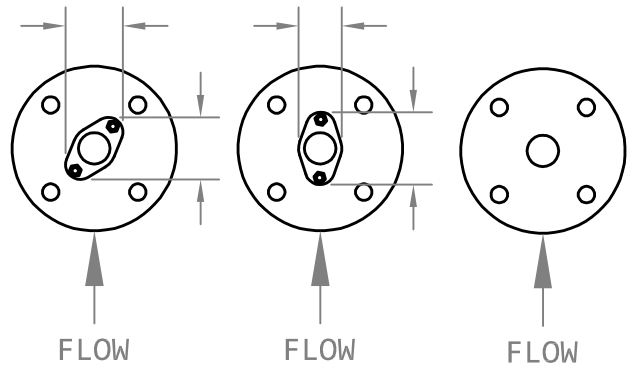
MOUNT STYLE 5

SKETCH YOUR MOUNT STYLE
 USING MOUNT STYLE EXAMPLES.

MOUNT STYLE 3



CIRCLE AND DIMENSION
 OR DRAW IN PACKING FOLLOWER



Nitz Valve Hardware, Inc.
 8610 Unionville Road
 Sebewaing, MI 48759
 t: (989) 883-9500
 f: (989) 883-2772

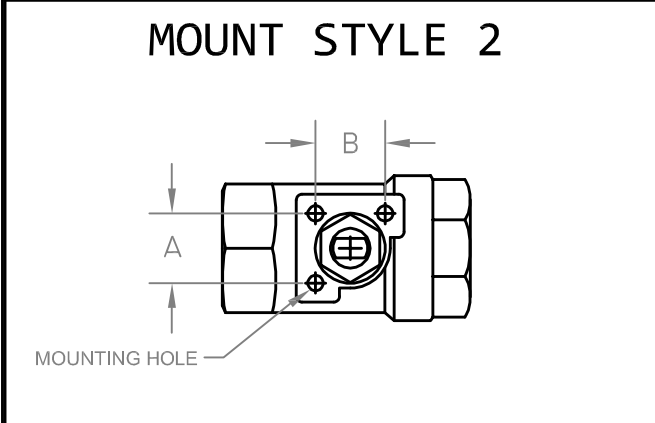
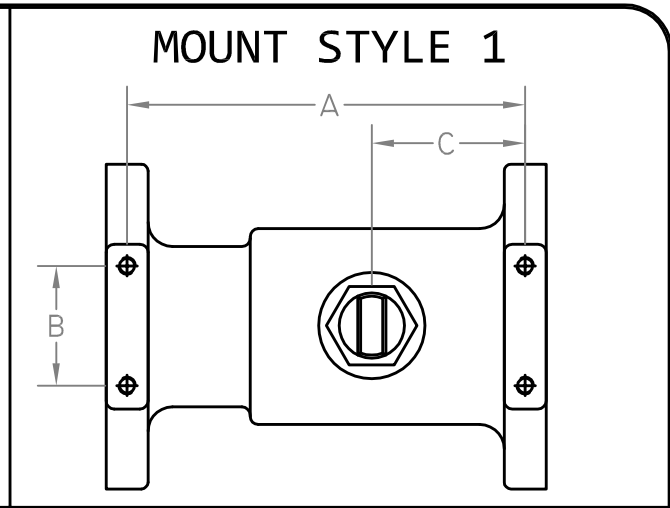
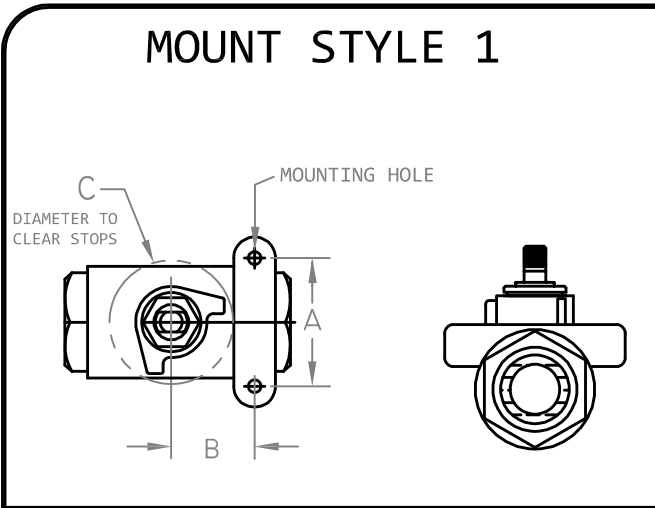
MOUNTING STYLE: _____

DIM A: _____ **DIM B:** _____ **DIM C:** _____

MOUNTING HOLES- DIA ϕ : **THROUGH**
 Ex: 0.437"

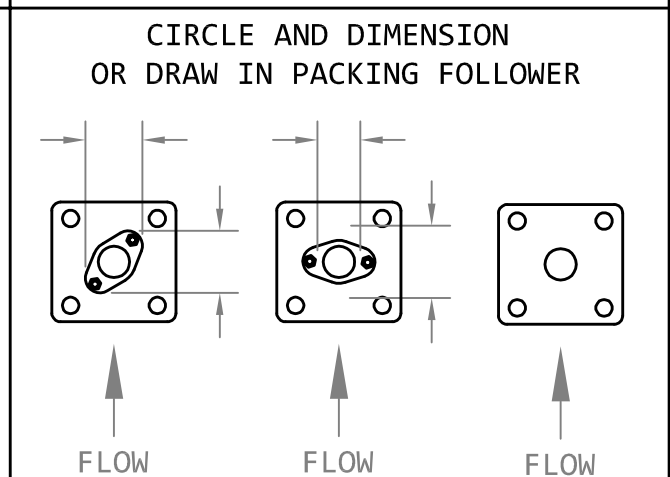
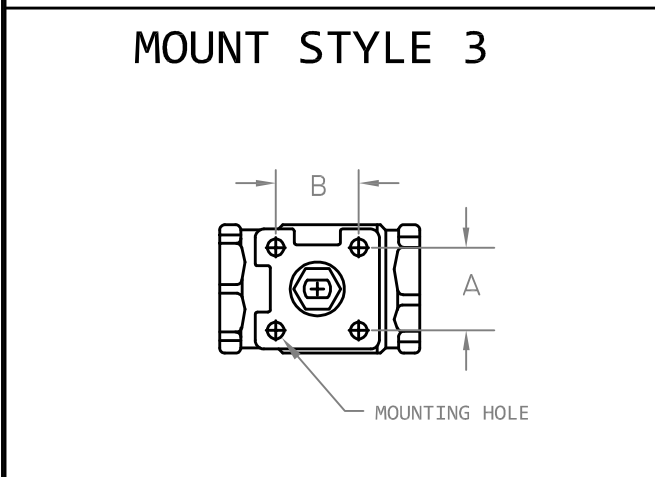
THREAD SPEC: **TAPPED**
 Ex: $\frac{1}{2}$ "-13

MOUNT STYLE SHEET THREE - USE SHEET ONE FOR STEM
 USE CALIPERS AND GIVE DIMENSIONS TO THE THIRD DECIMAL WHENEVER POSSIBLE
 SEE PAGE 10 IN OUR PRICEBOOK FOR CORRECT BOLT PATTERN MEASURING METHOD



MOUNT STYLE 5

SKETCH YOUR MOUNT STYLE
 USING MOUNT STYLE EXAMPLES.



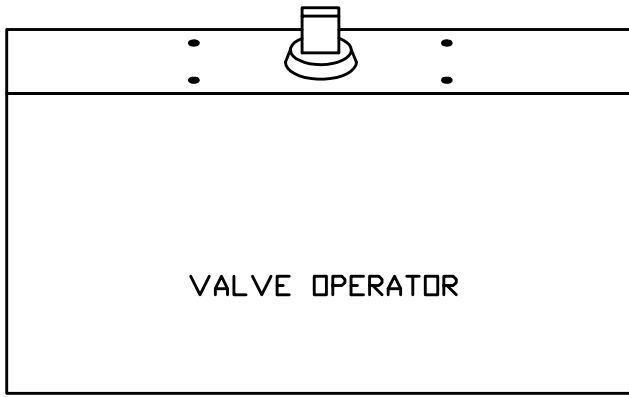
NVH
 Nitz Valve Hardware, Inc.
 8610 Unionville Road
 Sebawaing, MI 48759
 t: (989) 883-9500
 f: (989) 883-2772

MOUNTING STYLE: _____

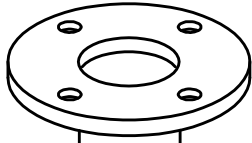
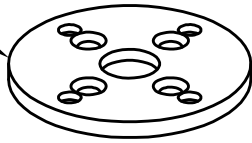
DIM A: _____ **DIM B:** _____ **DIM C:** _____

MOUNTING HOLES - DIA ϕ : **THROUGH** **THREAD SPEC:** **TAPPED**

Ex: 0.437" Ex: $\frac{1}{2}$ " -13

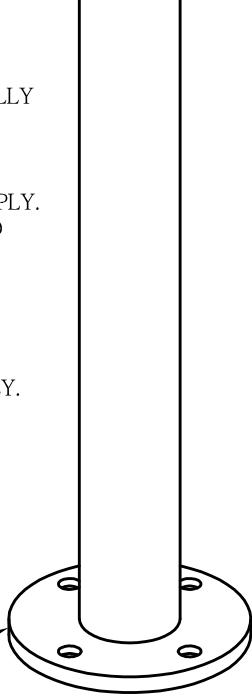


TRANSITION PLATE
WHEN REQUIRED

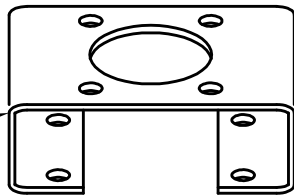


NOTE:
TOP OF STEM EXTENSIONS WILL NORMALLY
DUPLICATE THE VALVE MOUNTING PAD.
A BRACKET WILL BE REQUIRED UNDER
THE EXTENSION FOR PACKING GLAND
OR WHEN OTHER CLEARANCE ISSUES APPLY.
A TRANSITION PLATE WILL BE REQUIRED
ON THE EXTENSION WHEN PIPE O.D.
EXCEEDS THE BOLT PATTERN ON
EITHER THE TOP, BOTTOM, OR BOTH.
THRUST BEARINGS ARE RECOMMENDED
FOR HEAVY OR LONG INNER DRIVES.
ACTUATOR SHOWN FOR REFERENCE ONLY.

PLATE TO
MOUNT TO
VALVE



ADAPTER BRACKET
WHEN REQUIRED



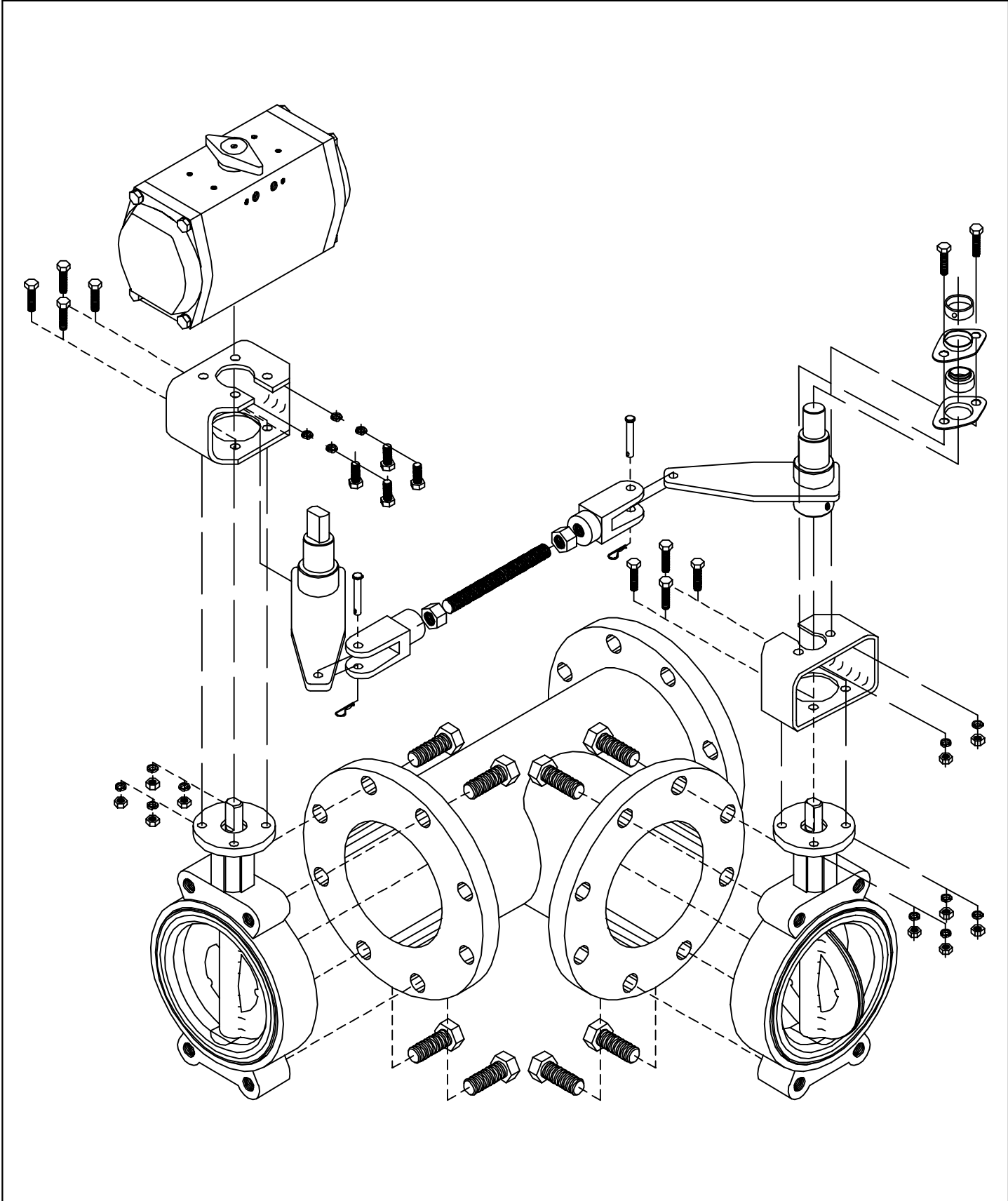
INNER
DRIVE
SHAFT

STEM ADAPTER

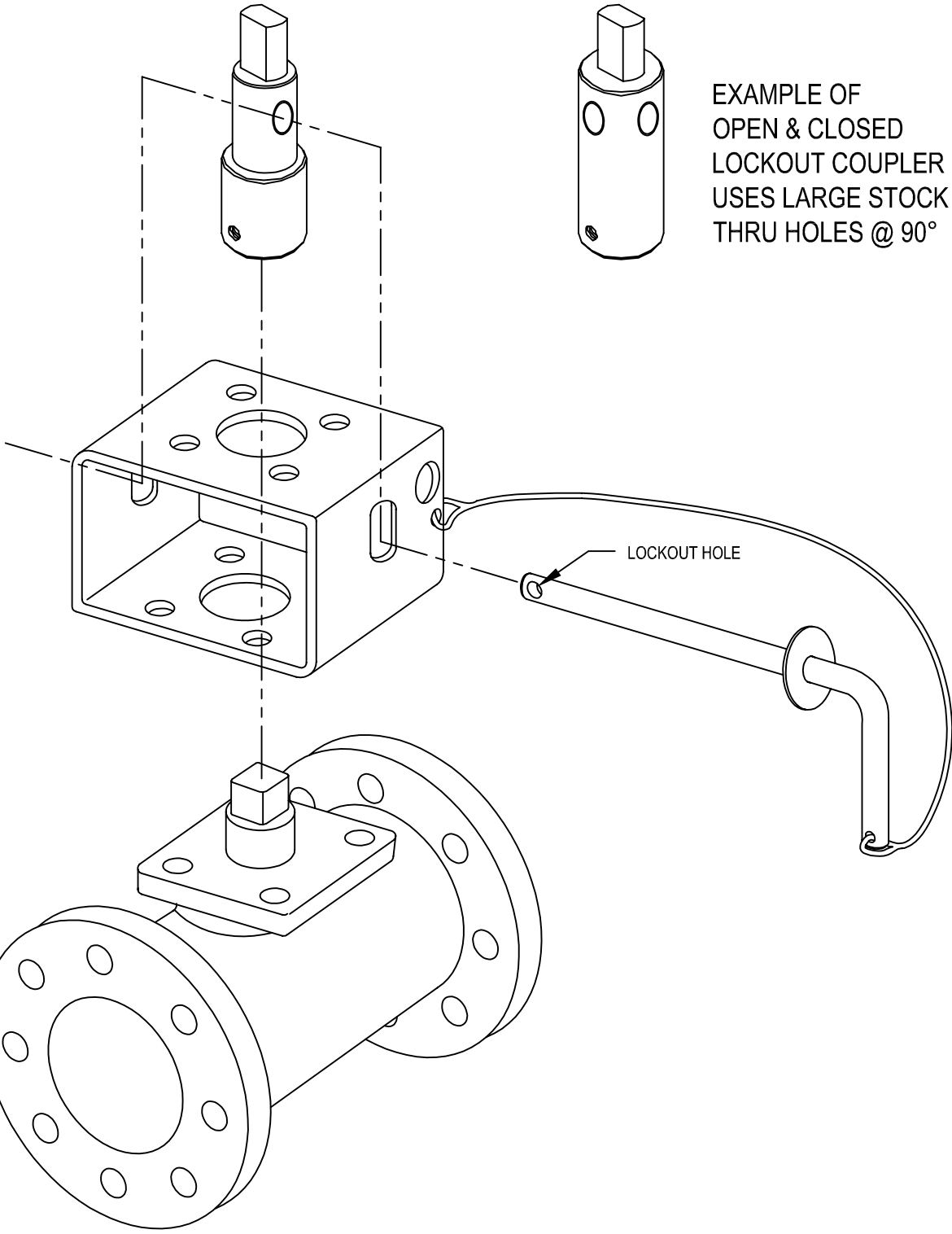


THRUST BEARING
WHEN REQUIRED

REV		<h1 style="margin: 0;">NVH Nitz Valve Hardware Inc.</h1>	<h2 style="margin: 0;">STEM EXTENSION MOUNTING LINKAGE STYLES</h2>		
	DATE			DRAWN BY: J. LEPPEK	PART NO. -
	DESCRIPTION			APPROVED BY: <i>J. Leppek</i>	SCALE 1:1
				THIS DOCUMENT AND THE DATA DISCLOSED HEREIN OR HEREWITH IS NOT TO BE REPRODUCED, USED, OR DISCLOSED IN WHOLE OR IN PART WITHOUT THE WRITTEN CONSENT OF NITZ VALVE HARDWARE, INC.	SHEET 1 OF 1
				REV -	



	<p>NVH Nitz Valve Hardware Inc.</p>	<p>STEM EXTENSION MOUNTING LINKAGE STYLES</p>	
<p>THIS DOCUMENT AND THE DATA DISCLOSED HEREIN OR HERewith IS NOT TO BE REPRODUCED, USED, OR DISCLOSED IN WHOLE OR IN PART WITHOUT THE WRITTEN CONSENT OF NITZ VALVE HARDWARE, INC.</p>	<p>DRAWN BY: J.LEPPEK</p>	<p>PART NO. -</p>	<p>REV -</p>
	<p>APPROVED BY: <i>J. Leppek</i></p>	<p>SCALE 1:1</p>	<p>SHEET 1 OF 1</p>



EXAMPLE OF
OPEN & CLOSED
LOCKOUT COUPLER
USES LARGE STOCK
THRU HOLES @ 90°

LOCKOUT HOLE

	NVH Nitz Valve Hardware Inc.		STEM EXTENSION MOUNTING LINKAGE STYLES		REV -
	THIS DOCUMENT AND THE DATA DISCLOSED HEREIN OR HERewith IS NOT TO BE REPRODUCED, USED, OR DISCLOSED IN WHOLE OR IN PART WITHOUT THE WRITTEN CONSENT OF NITZ VALVE HARDWARE, INC.		DRAWN BY: J.LEPPEK APPROVED BY: <i>J. Leppek</i>	PART NO. - SCALE 1:1	SHEET 1 OF 1